



FLOAT SWITCHES

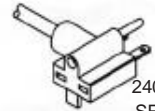
BII mechanical float switches have many important features. The internal structure contains precision molded parts with only two moving pieces. A steel ball moves through a solidly constructed housing to activate a switch arm that triggers a top quality miniature snap action switch.

The floats are supplied with Chlorinated Polyethylene (CPE) jacketed (SJOW-A/CSA Type SJOW) cords, with 120 or 240 volt series (piggy back) plugs which eliminates the need for internal wiring in the pump motor. The units can also be supplied without plugs or in various lead lengths.

Normally open switches are used for pumping liquid levels down and are black in colour. Normally closed switches are for pumping liquid levels up and are white in colour.



120 VAC
SERIES
PLUG



240 VAC
SERIES
PLUG

1/2 HP FLOAT SWITCHES - PUMP DOWN - CONTACTS NORMALLY OPEN

- Emptying / high level alarm applications
- Ratings: 13 AMPS - 1/2 H.P. @ 120/240 VAC 60Hz
- Non-mercury switch safe for potable water

- 16 gauge CPE cord
- Max operating temp: 140°F (60°C) Water resistant
194°F (90°C) Dry

M.D.I. 860D Series UL & CSA approved
Black High Impact Polystyrene (HIPS) Float

BII 2-860D Series CSAc(Canada) & CSAus (USA) approved
Black Acrylonitrile Butadiene Styrene (ABS) Float

PART NO.	LIST PRICE-A	QTY CTN
860D-120-10	43.13	1
860D-120-15	51.94	1
860D-120-20	53.10	1
860D-120-30	69.22	1
860D-120-50	92.90	1
860D-240-10	51.44	1
860D-240-15	58.09	1
860D-240-20	61.57	1

PART NO.	LIST PRICE-A	QUANTITY CTN	CASE	VOLTAGE	CORD LENGTH
2-860D-120-10	31.89	1	18	120 VAC	10 Ft
2-860D-120-15	38.45	1	18	120 VAC	15 Ft
2-860D-120-20	46.16	1	18	120 VAC	20 Ft
2-860D-120-30	61.64	1	8	120 VAC	30 Ft
2-860D-120-50	90.78	1	8	120 VAC	50 Ft
				240 VAC	10 Ft
				240 VAC	15 Ft
				240 VAC	20 Ft

1/2 HP FLOAT SWITCHES - PUMP UP - CONTACTS NORMALLY CLOSED

- Filling / low level alarm applications
- Ratings: 13 AMPS - 1/2 H.P. @ 120/240 VAC 60Hz
- Non-mercury switch safe for potable water

- 16 gauge CPE cord
- Max operating temp: 140°F (60°C) Water resistant
194°F (90°C) Dry

M.D.I. 860U Series UL & CSA approved
White Acrylonitrile Butadiene Styrene (ABS) Float

PART NO.	LIST PRICE-A	QTY CTN
860U-120-10	47.78	1
860U-120-15	54.93	1
860U-120-20	57.25	1
860U-120-30	74.20	1
860U-120-50	95.40	1
860U-240-10	54.93	1
860U-240-15	60.58	1
860U-240-20	66.63	1

BII 2-860U Series CSAc(Canada) & CSAus (USA) approved
White Acrylonitrile Butadiene Styrene (ABS)

PART NO.	LIST PRICE-A	QUANTITY CTN	CASE	VOLTAGE	CORD LENGTH
2-860U-120-10	38.40	1	18	120 VAC	10 Ft
2-860U-120-15	38.45	1	18	120 VAC	15 Ft
2-860U-120-20	46.16	1	18	120 VAC	20 Ft
2-860U-120-30	61.64	1	8	120 VAC	30 Ft
2-860U-120-50	90.78	1	8	120 VAC	50 Ft
				240 VAC	10 Ft
				240 VAC	15 Ft
				240 VAC	20 Ft

1 & 2 HP FLOAT SWITCHES - PUMP DOWN AND PUMP UP

- Ratings: 15 AMPS
1 H.P. @ 120 VAC 60 Hz
2 H.P. @ 240 VAC 60 Hz
- Non-mercury switch safe for potable water

- 14 gauge CPE cord
- Max operating temp: 140°F (60°C) Water resistant
194°F (90°C) Dry

Emptying / high level alarm applications
M.D.I. 870D Series UL & CSA approved
Black Acrylonitrile Butadiene Styrene (ABS) Float

Filling / low level alarm applications
M.D.I. 870U Series UL & CSA approved
White Acrylonitrile Butadiene Styrene (ABS) Float

PUMP DOWN PART NO.	LIST PRICE-A	QTY CTN
870D-120-10	77.20	1
870D-120-20	95.47	1
870D-120-30	114.42	1
870D-240-10	77.86	1
870D-240-20	102.12	1
870D-240-30	128.71	1

PUMP UP PART NO.	LIST PRICE-A	QTY CTN	VOLTAGE	CORD LENGTH
870U-120-10	85.50	1	120 VAC	10 Ft
870U-120-20	97.97	1	120 VAC	20 Ft
870U-120-30	118.74	1	120 VAC	30 Ft
870U-120-50	258.74	1	120 VAC	50 Ft
870U-240-10	91.32	1	240 VAC	10 Ft
870U-240-20	112.09	1	240 VAC	20 Ft
870U-240-30	136.35	1	240 VAC	30 Ft

NOTE: Available in longer cord lengths. Please call your Sales Rep for more information.

CDN

BII  **SENSOR SWITCHES BY MDI**



MDI's mechanical sensor switch has many important features. The sensor control switches are used for level sensing for alarms and pump control panels. The sensor switch does not have a plug, but the cord is skived to connect to terminals in a panel. The switch is rated at 1/4 H.P. 120/240 volts. The floats without series plugs are UL component recognized and CSA certified.

The floats are supplied with Chlorinated Polyethylene (CPE) jacketed (16-2 SJOW-A) cords and the cords are available in various lead lengths. All sensor switches are internally weighted and have a standard 7" turn. It is not necessary to tether.

Normally open switches are used for pumping liquid levels down and are black in colour and have a two wire connection. Normally closed switches are for pumping liquid levels up and are white in colour with a two wire connection. Double throw switches are green and can be connected for either normally open or normally closed and have 3 wire connection.

PUMP DOWN SENSOR SWITCHES - CONTACTS NORMALLY OPEN

PART NO.	CORD LENGTH	LIST PRICE-A
880NO-10	10 Ft	53.10
880NO-15	15 Ft	59.75
880NO-20	20 Ft	65.56
880NO-30	30 Ft	76.70

- Emptying applications
- (High Water Guard)
- Black Float
- High Impact Polystyrene (HIPS)
- Ratings: 10 AMPS/1/4 H.P.
@120/240 VAC 60 Hz
- Non-mercury switch safe for potable water
- 2 Wire skive
- Max operating temp: 140°F (60°C) Water resistant
194°F (90°C) Dry
- 16 gauge CPE cord

PUMP UP SENSOR SWITCHES - CONTACTS NORMALLY CLOSED

880NC-10	10 Ft	53.10
----------	-------	-------

- Filling applications
- (Low Water Guard)
- White Float
- Acrylonitrile Butadiene Styrene (ABS)
- Ratings: 10 AMPS/1/4 H.P.
@120/240 VAC 60 Hz
- Non-mercury switch safe for potable water
- 2 Wire skive
- Max operating temp: 140°F (60°C) Water resistant
194°F (90°C) Dry
- 16 gauge CPE cord

DOUBLE THROW SENSOR SWITCHES - CONTACTS NORMALLY OPEN OR CLOSED

880NOC-10	10 Ft	62.24
880NOC-20	20 Ft	78.86
880NOC-30	30 Ft	92.15

- Emptying or filling applications
- Green Float
- Acrylonitrile Butadiene Styrene (ABS)
- Ratings: 10 AMPS/1/4 H.P.
@120/240 VAC 60 Hz
- Non-mercury switch safe for potable water
- 3 Wire skive
- Max operating temp: 140°F (60°C) Water resistant
194°F (90°C) Dry
- 16 gauge CPE cord

NOTE: Available in longer cord lengths. Please call your Sales Rep for more information.

MODELS 208T/208S - PVC BALL CHECK

- Corrosion resistant PVC body
- Threaded female x female connection
- NITRILE (Buna-N) self-cleaning ball
- E-Z access port with nitrile seal.

SIZE	PART NO.	WGT
1"	172131T	1.0
1-1/4"	172132T	1.0
1-1/2"	172133T	2.0
2"	172134T	2.0

Also available with socket weld (slip)
(Model 208S)



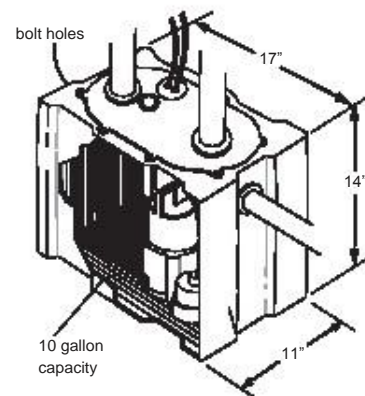
Temp Max 180°F (80°C)
Pressure Max 100 PSI

NOTE: 1) For pricing on PVC Ball Checks, see Section 10
2) Cast Iron Ball and Swing Checks are available for Sump & Sewage applications

THE WATER BOX

- ACCEPTS MOST ANY SUBMERSIBLE PUMP
- Instantly and economically solves waste water handling problems for laundry tubs, washing machines, wet bars, dehumidifiers or any other waste water storage and pumping applications
- Construction: Rotationally molded from totally corrosion resistant polypropylene with no seams for maximum durability
- Installation: The bolt down cover allows easy access for installation or removal of 1-1/4" or 1-1/2" sump pump
- 1-1/2" inlet connection is threaded
- 2" Vent Pipe can be installed if necessary

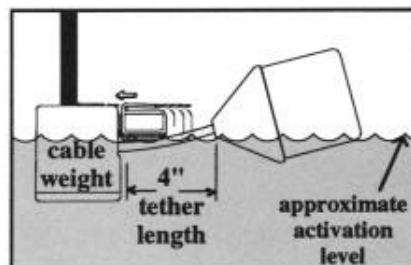
PART NO.	DIMENSIONS	CAPACITY	LIST PRICE-A
SPWB-10	17" X 11" X 14"	10 Gallons	108.20



CABLE WEIGHT

- Provides a secure, adjustable, external pivot point for float switches
- Features: Impact-resistant, non-corrosive PVC housing

PART NO.	LIST PRICE-A
890-AW	18.54



ADJUSTABLE CABLE WEIGHT

This 1.34 lbs (610 grams) cable weight allows for easy adjustment of the tether length on sensor/non-internally weighted float switches, manufactured from zinc plated cast iron for superior corrosion resistance, with two internal grip rings to prevent slippage on the cord. Constructed in two halves which are held together with stainless steel bolts which thread directly into the castings, the bolt heads are countersunk to ensure that no debris catches on the bolt.

PART NO.	DESCRIPTION	LIST PRICE-A
890-AW-CI	Adjustable Cable Weight	15.46



ACCESSORIES

PART NO.	DESCRIPTION	BAG QTY	LIST PRICE-A
890-CC516BK	5/16" Black Nylon Cable Clip	100	0.90 each

It is highly recommended that this cable clip be installed to secure the power cord of a float switch, pump or liquid level alarm to either the wall or electrical outlet using the outlet faceplate screw. To prevent plug from being accidentally disconnected from the electrical outlet.

Must be ordered in bag quantities



PART NO.	DESCRIPTION	BAG QTY	LIST PRICE-A
890-CRT14BK	14" 50# Button Release UV Black	100	0.51 each

Releasable cable ties are ideal for fastening the the float switch cord at the tether point. It's release feature allows the tie to be re-opened for easy adjustment of the tether length to change the pumping range for either more or less distance between the turn-on and turn-off levels.

Must be ordered in bag quantities



The cable clamp and cable tie are now included with the 860 and 870 series float switches and 850L and 850H level alarms. Bosharts has added the two items to meet or exceed industry standards in the Float and Alarm business.

TAPPED PITLESS ADAPTERS - FOR UNDERGROUND TANKS / DIRTY WATER

PART NO.	SIZE	TAPPING	QUANTITY		LIST PRICE-A
			CTN	CASE	
•1-1/4" and 2" Tapped Pitless are for dirty water applications. The 1/4" FPT tapping provides a means to connect a 1/4" pipe to the pitless to allow easy removal of the pitless unit and pump. The pipe is guided by a rail/guide system that aligns the pitless elbow with the pitless slide when reinstalling (railing or guide system not included). 1-1/4" units are used with grinder pumps					
PA-125-T	1-1/4" Bronze	1/4"	1	10	115.59
P-125-SS-T	1-1/4" Stainless Steel	1/4"	1	10	177.16
2" units are used with all other sewage pumps					
PA-200-T	2" Bronze	1/4"	1	4	257.90
P-200-SS-T	2" Stainless Steel	1/4"	1	4	464.47



Also Available. Please see Section 11 for pricing.

•1" Tapped Pitless are for underground water well tank installations. The 1/4" FPT tapping provides a means to connect poly tubing to the pressure switch which is located near the buried tank.

PA-800-T	1" Bronze	1/4"	1	16
P-100-SS-T	1" Stainless Steel	1/4"	1	16