

## GALVANIZED PRESSURE TANKS

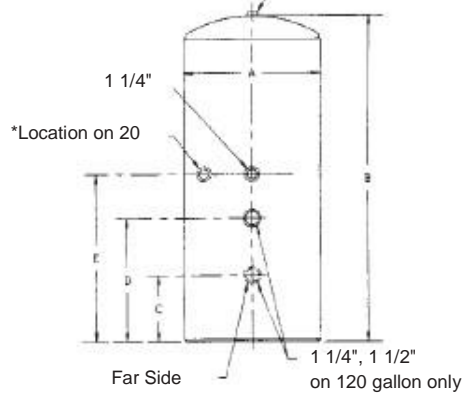
- **Maximum** working pressure - 75 PSI
- **Cold** water use (ambient temperature)
- **Cold** well water storage
- **Inlet** and outlet taps are located near the bottom of the tank in order to maintain a cushion of air in the top

PART NO.	US GAL. CAP.	DIAMETER		OVERALL LENGTH	LOCATION OF OPENINGS			TOP PLUG	APPROX. WEIGHT	LIST PRICE-E
		A	B		C	D	E			
21-12	12	12	26-1/2	3	6	14	1	27 Lbs	353.15	
21-20	20	16	26-11/16	3	12	14	1	45 Lbs	364.12	
21-30	30	16	38-7/16	3	12	20	1	52 Lbs	366.56	
21-42	42	16	50-11/16	3	12	26	1	71 Lbs	390.58	
21-80	82	20	63-13/16	3	12	32	1	114 Lbs	619.91	
21-115	120	24	64-7/16	3-1/2	12	32	1	154 Lbs	845.86	
21-215	220	30	80-3/16	3-1/4	29-3/4	11-1/4	2	303 Lbs	2170.33	



### DESIGN FOR 12 GALLON THROUGH 120 GALLON TANKS

F (See Note)



NOTE: For information about 220 gallon tank, contact your Sales Representative.  
 315 and 525 gallon tanks available. Call your Sales Representative for price and delivery.  
 Removal of the top plug (F) is not recommended. The plug is installed before the hot dip galvanizing process, and the threading on the tank can be severely damaged by removing the plug. Damage as a result of the plug (F) voids the warranty.  
 (Do so at your own risk)

## PUMP MOUNTING BRACKET

Pump mounting bracket kit has the following components:

- **(1)** 3/8" x 3/4" chrome plated hex bolt
- **(1)** 3/8" x 1" chrome plated hex bolt
- **(4)** plated flat washers
- **(4)** blue plastic leg protectors

PART NO.	TYPE	SIZE	QUANTITY		LIST PRICE-A
			BAG	CASE	
PMB	Universal	7-1/2" x 9-1/8" x 1-15/16"	1	20	14.45



Warning: To prevent damage to the tank it is very important to use the proper length bolts. A bolt which is too long may dent or puncture the tank dome. The length of bolt will vary on different tank styles. Always use shim washers where required.

## TANK FLOATS

PART NO.	DIAMETER IN.	CTN QTY	LIST PRICE-E
TF-20	20	40	42.25
TF-24	24	20	54.68

